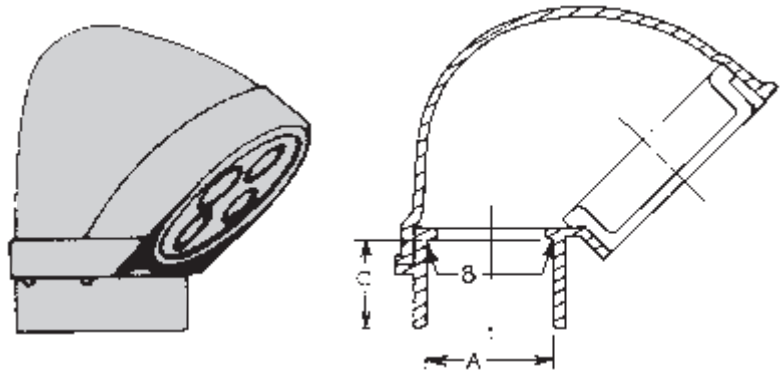


Service Entrance Fittings

UL LISTED

Except as noted - *
Conforms to UL 514B



Item Number	Nominal Size	Average A (inches)	Average B (inches)	Minimum C (inches)
6170 0100	1	1.330	1.310	0.875
6170 0125	1 ¹ / ₄	1.677	1.655	0.938
6170 0150	1 ¹ / ₂	1.918	1.894	1.062
6170 0200	2	2.393	2.369	1.125
6170 0250	2 ¹ / ₂	2.890	2.868	1.469
6170 0300	3	3.515	3.492	1.594
6170 0350	3 ¹ / ₂ *	4.015	3.992	1.687
6170 0400	4	4.515	4.491	1.750