

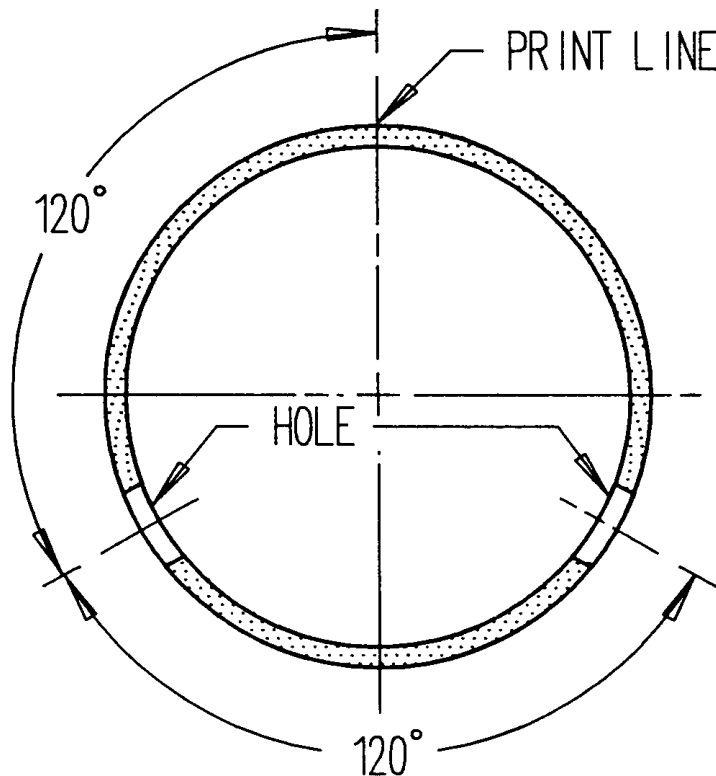
Perforated Underdrain Pipe Submittal and Data Sheet

November 1998

Solvent-Weld, SDR 35

Nominal Pipe Size (inches)	Average Outside Diameter (inches)	Approximate Inside Diameter (inches)	Minimum Wall Thickness (inches)	Approximate Weight (lbs/100')
4	4.215	3.95	.120	102
6	6.275	5.88	.180	213

LOCATION OF PRINT LINE AND PERFORATIONS



Perforation Specifications: Two rows of ½" diameter holes with hole spacing of 5" center-to-center. Rows are 120° apart.

General Notes:

1. Underwriters Laboratories, Inc.® tests to the requirements of the Uniform Plumbing Code™ prior to perforation.
2. Pipe material meets ASTM D 1784 cell class 12454 or 12364.
3. Pipe meets ASTM D 3034 prior to perforation.
4. Pipe is produced with an integral bell solvent-weld joint.
5. Inside diameters may vary due to allowable manufacturing tolerances.
6. Approximate weights are for estimating purposes only.
7. Proper hole location is assured if print line faces upward after installation.
8. All orders are subject to final acceptance at the Eugene office.